

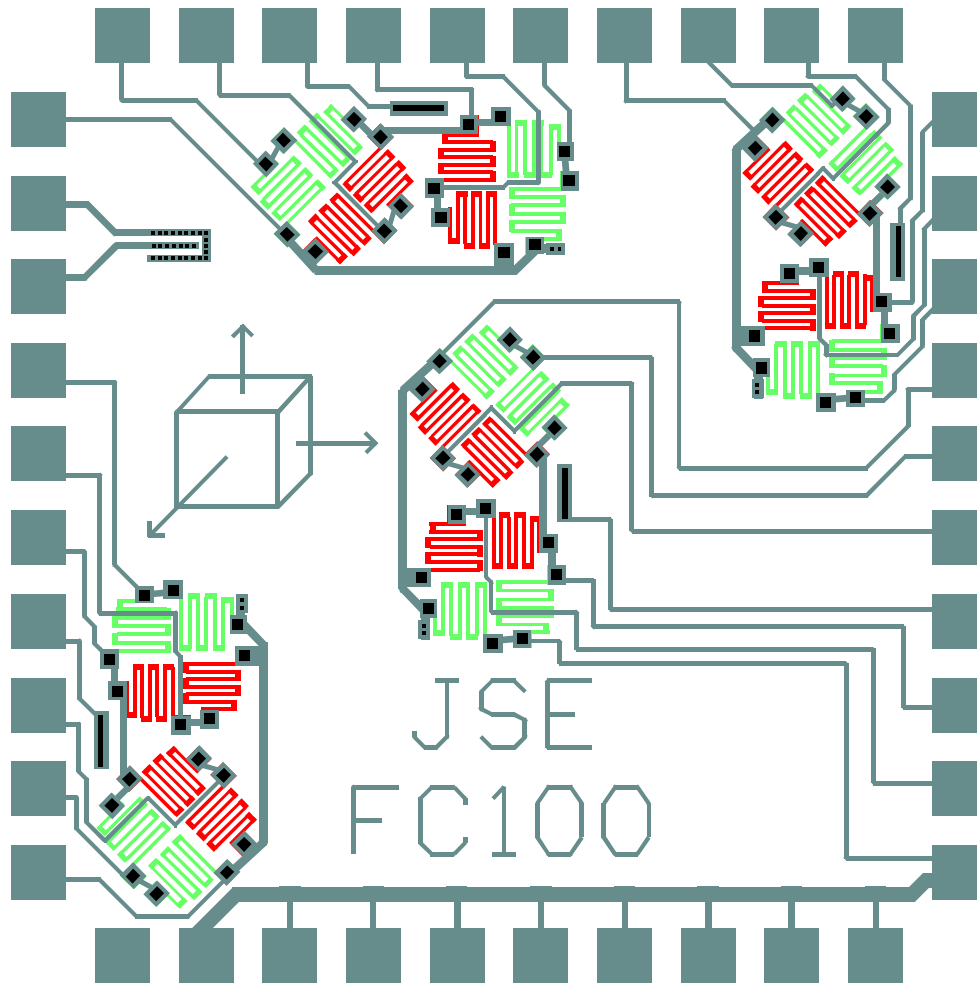
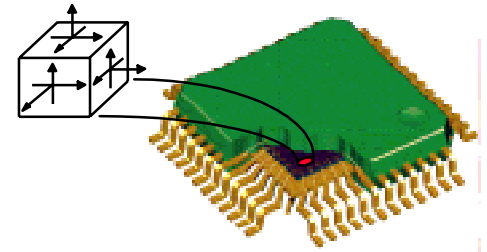
STRESS TEST CHIPS

FLIP CHIP DIE

JS Engineering, L.L.C.
P. O. Box 2084
Auburn, AL 36831-2084
USA

www.stresschips.com

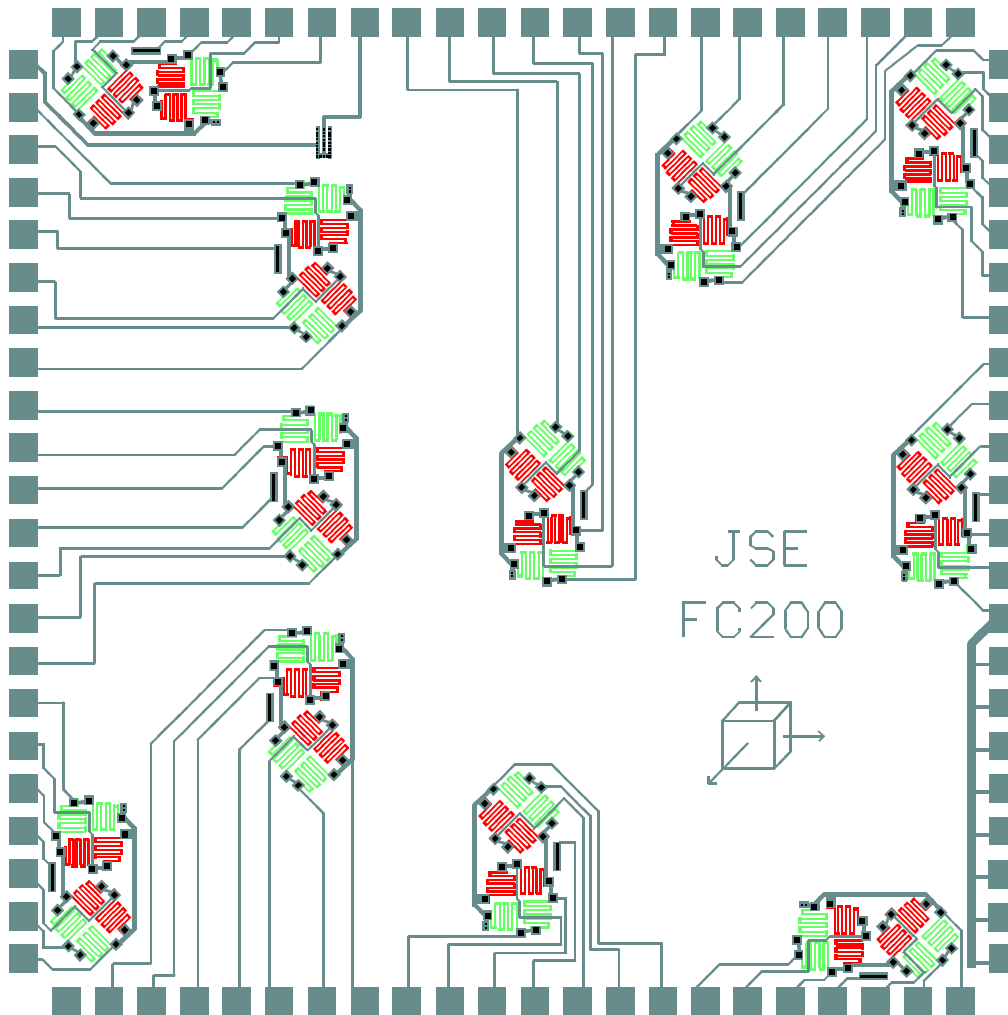
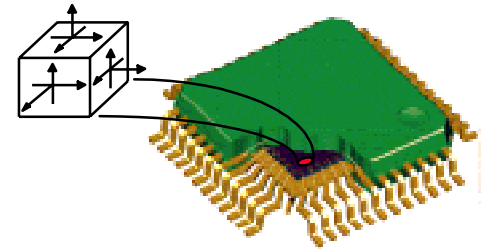
FLIP CHIP TEST DIE



FC100

- 2.5 x 2.5 mm
- 8 mil Pitch Perimeter Bumped
- Chip ID
- 4 Rosettes
- Diode Temperature Sensor

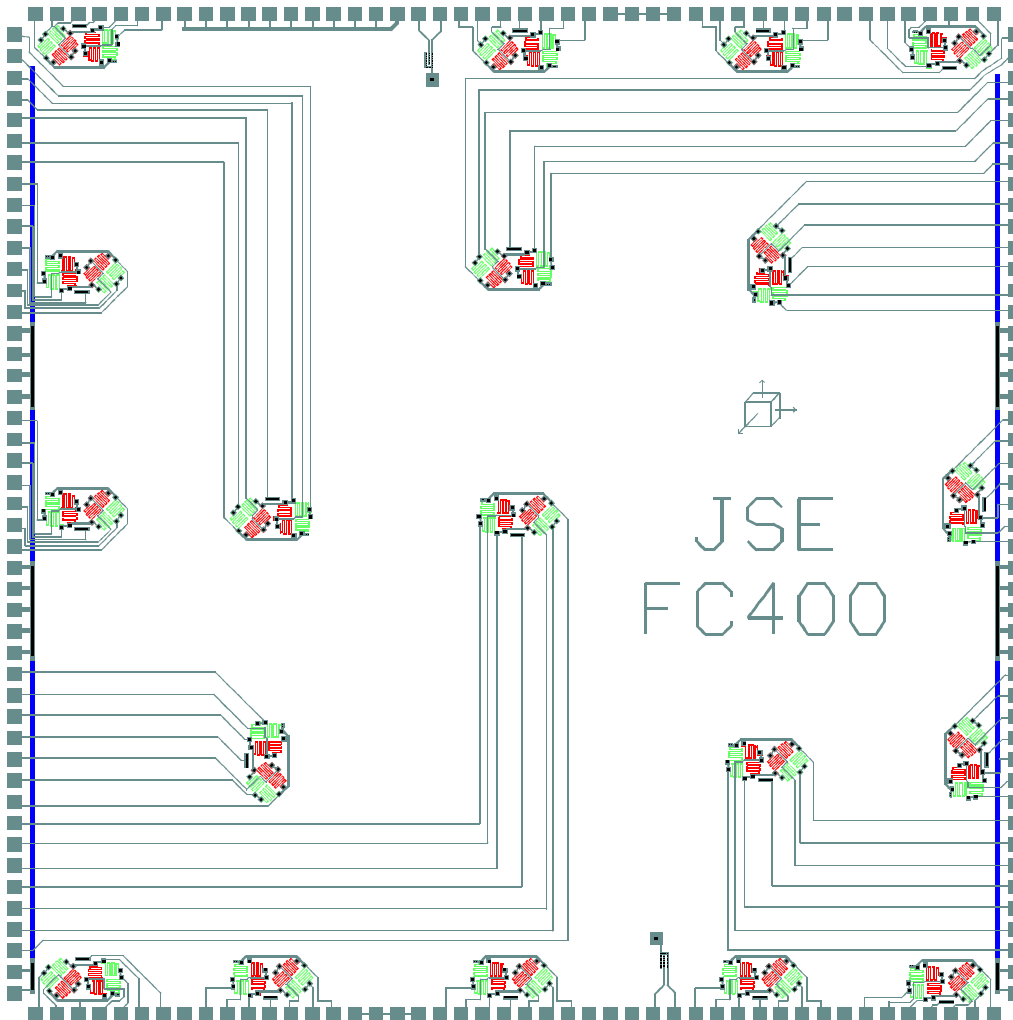
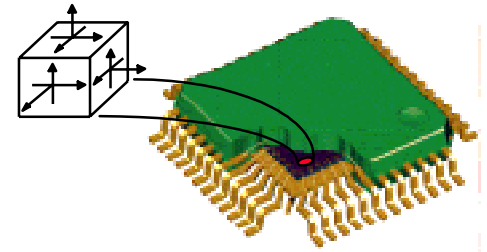
FLIP CHIP TEST DIE



FC200

- 5 x 5 mm
- 8 mil Pitch Perimeter Bumped
- Chip ID
- 11 Rosettes
- Diode Temperature Sensor

FLIP CHIP TEST DIE



FC400

- 10 x 10 mm
- 8 mil Pitch Perimeter Bumped
- Chip ID
- 19 Rosettes
- Diode Temperature Sensors
- Sub Surface Heater